

Model No: C2C34



Features:

- Three high performance Coyote Infinity Burners™
- 780 sq. in. cooking area
- Up to 60,000 BTU
- Complete 304 stainless steel construction
- Interior grill lighting
- Integrated wind guard

Dimensions:

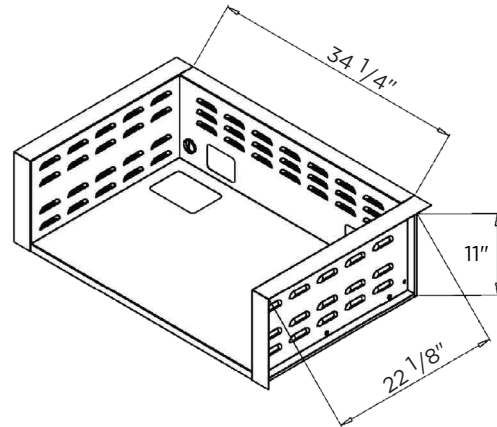
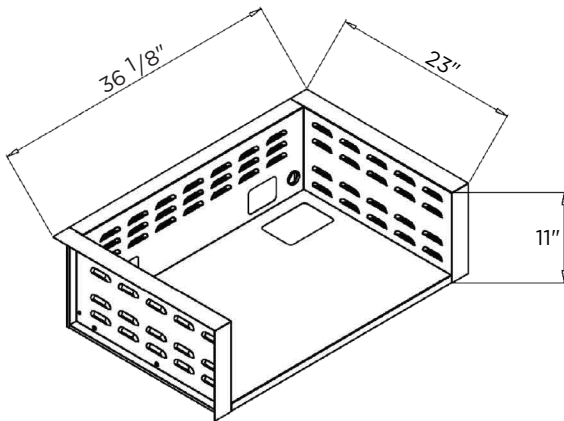
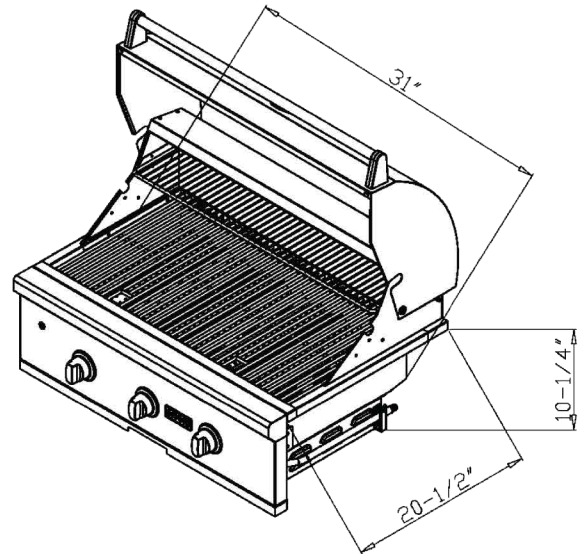
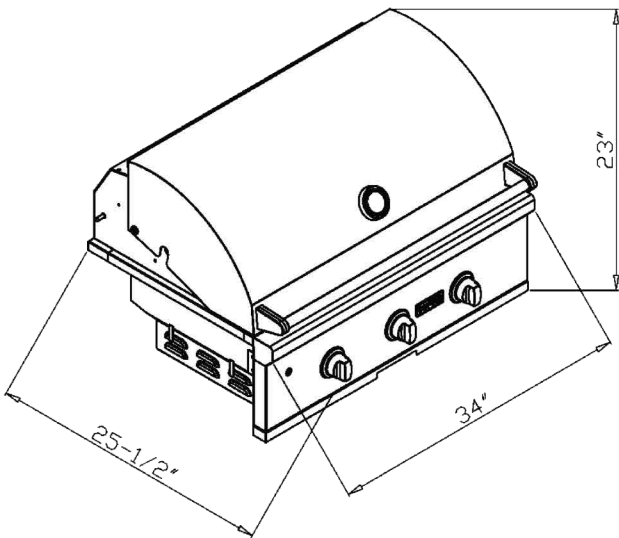
- Cutout: (H) 10 1/4" X (W) 31 X (D) 20 1/2"
- Overall: (H) 23" X (W) 34" X (D) 25 1/2"

Accessories:

- Laser-Cut Signature Grates (CSIGRATE12)
- Charcoal trays (CCHTRAY12)
- 14" stainless steel griddle (C1GRDL)
- Stainless steel cart available
- Custom fit, weather resistant cover
- Insulated jacket
- Gas conversion kit

C2C34 PRODUCT SPECS

DIMENSIONAL RENDERINGS



Overall Product Dimensions			
Model No.	Height	Width	Depth
C2C34	23"	34"	25 1/2"
CJAKTCC3	11"	36 1/8"	23"

Cutout Dimensions for Island			
Model No.	Height	Width	Depth
C2C34	10 1/4"	31"	20 1/2"
CJAKTCC3	11"	34 1/4"	22 1/8"

✓ When using a Coyote insulated jacket, you will want to build your island to the jackets Cutout and Overall Dimensions listed above. Once the jacket is installed, the grill will rest on/inside the insulated jacket.

Model No.	Gas Supply	BTU's	Regulator	WC Pressure	Max PSI	Electrical Requirements
C2C34LP	Propane	60,000	20 lb Tank Regulator	11"	.5 PSI	Qty 1 - 120 VAC 60 Hz Grounded Plug
C2C34NG	Natural Gas	60,000	1/2" Female Pipe	4"	.5 PSI	Qty 1 - 120 VAC 60 Hz Grounded Plug

Important Note to Installer: This file is not intended to replace your Owners' Manual which contains specific safety requirements and consumer guidelines. Please refer to your Owners' Manual prior to installing or operating your built-in grill.

COYOTE[®]
Outdoor Living

www.coyoteoutdoor.com